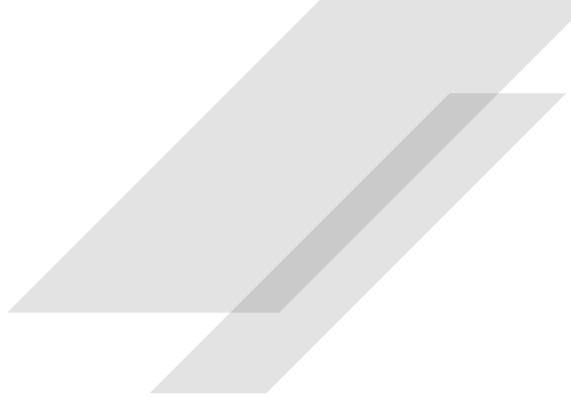


INNOVATION AUTOMATION

ALLMATIC

*The way to automated
workpiece clamping*

ALLMATIC
Spannsysteme **JAKOB**



COMPETENCE

QUALITY

PRECISION

FLEXIBILITY

THIS IS WHAT ALLMATIC STANDS FOR



THE LEAP INTO THE FUTURE

Automation and Industry 4.0

There is a lot to be said in favour of automated production: it is faster, more precise and more cost-effective. The precondition for an automated increase in productivity is precision and clamping speed. Workpieces must be fixed in the machine tools as fast as possible and with

great force. The continual repetition of these clamping processes must be carried out with exactly the same force. This is exactly what the ALLMATIC clamping systems provide.

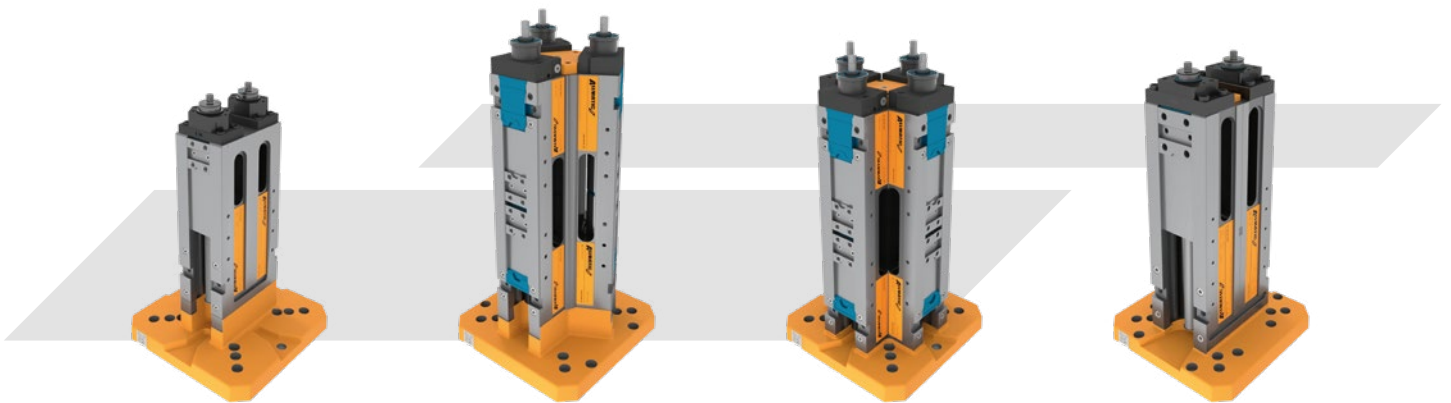


TOMBSTONES

Tombstones for horizontal machining

The new tombstones portfolio offers choices such as a wide variety of spindle and jaw combinations.

This allows raw parts to be machined with the GRIPP technology and pre-machined workpieces with different clamping widths. Up to two parts per side can be clamped, you decide the number and arrangement of the clamping sides individually.



Tombstone - 57 variations: Available quickly with the configurator

The market for tombstones was confusing and difficult to understand up until now. With a new, modular product range and a sophisticated configurator, you can find the suitable system for you in less than 10 minutes.

The new configurator navigates you through the „product jungle“ in just three steps. You simply define your requirements and receive a qualified recommendation from a new, modular product range of 57 available variants in total. With 3D data and technical information, you can ensure that the tombstone fits your workpiece and machining center. Finding a suitable tombstone has never been so easy!



To Tombstone-configurator:
www.allmatic.de/tombstone

Tombstones at a glance

- 57 standard variants
- Configurable in just 3 steps
- Delivery time only 3-4 weeks
- Clamp 2 to 8 workpieces
- For unmachined parts and pre-machined workpieces

Product features at a glance

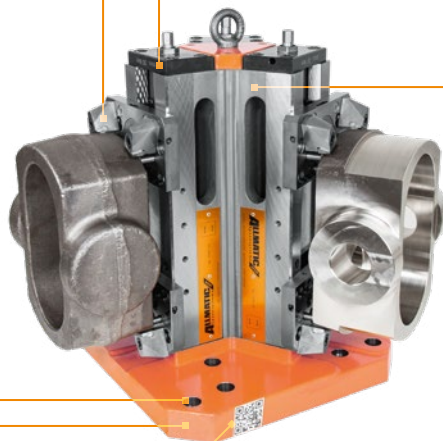
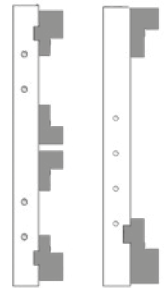
Positioning & Fixing

- Centering hole Ø50 H6, mounting holes for grid 40/50/63/125 mm
- Recording of zero-point clamping systems with bolt Ø25 H6



9 different spindles & numerous jaws

For clamping unmachined parts (with Gripp technology) and pre-machined workpieces with different clamping range and jaw widths. You can clamp 1 or 2 workpieces per side.

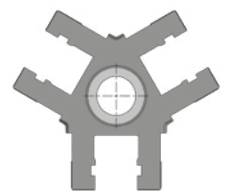


Number and arrangement of the clamping sides

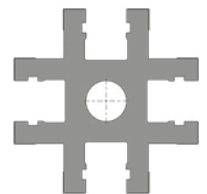
2 × 180°



3 × 120°

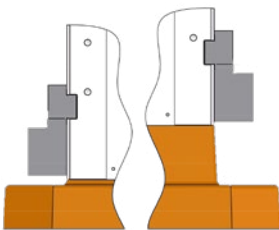


4 × 90°



Base plate

Available in heights 45 mm and 110 mm (one in 74 mm)



QR-Code with service data

Technical information and 3D data on exactly your tombstone can be found 24/7 for free download in the ALLMATIC service app.

If you register within 30 days, you can extend the statutory warranty of 2 years to a 4-year manufacturer guarantee.

Individual solutions



In addition to the standard products, ALLMATIC offers a variety of individual solutions. Each special solution can be individually adapted to your machine, your workpiece and your machining techniques. To be even more flexible, we manufacture clamping jaws adapted to the geometry of your workpieces.

WORKBUDDY

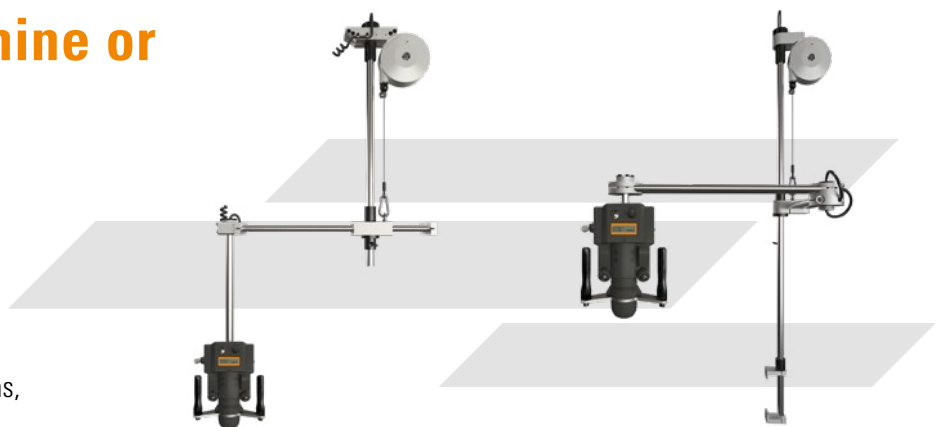
Ergonomic operation of tombstones



Fixation at machine or set-up station

Standard modules for customization

The installation of the WorkBuddy is based on two standard guiding arms, which are adaptable to the individual situation in your production. We are happy to support you with the installation!



Guiding arm (top)
Z500 R620 L1200

Guiding arm (side)
Z780 R400-600

can be mounted left and right

WorkBuddy – Your assistance in mechanical clamping

We expand our tombstone portfolio with the WorkBuddy clamping aid for safe, ergonomic and efficient set-up

Set-up time plays an important role in production: expensive milling machines have to be rapidly retooled and workpieces clamped for processing to minimise downtimes. The clamping of workpieces is key in this process – and what we specialise in.

We have now added the WorkBuddy to our clamping system of tombstones.

The electronic clamping aid speeds up the loading of tombstones during work preparation and enables ergonomic work that is gentle on the joints.

Unwieldy torque wrenches and incorrect tightening torques are in the past.



Clamping systems are among the most important machine elements for machining centres: a CNC machine can only work quickly and efficiently if workpieces are securely fitted and support the machining process. The fast and reliable clamping of workpieces is essential to ensuring that cost-intensive machine tools are economically efficient.

Clamping is generally done using a torque wrench or hand crank inside the machine itself or at an external set-up station.

One major disadvantage of this method is the awkward handling – often above head height. This results in physical strain and loss of working hours, which puts a financial burden on companies.

We have now found a convincing solution for these kind of clamping processes in work preparation (WP): the WorkBuddy.

Your advantages

- For ergonomic, joint-friendly operation of tombstones
- Reduction of operating errors results in safer processes
- Quick opening and clamping process (v= 10 mm/s)
- Individual installation at the machine or set-up station

Sample calculation for lost time injuries

Monthly salary of machine operator	3.000 €
Employer costs for the employee	4.000 €

Continuation of payment in case of illness	6 Weeks
--	---------

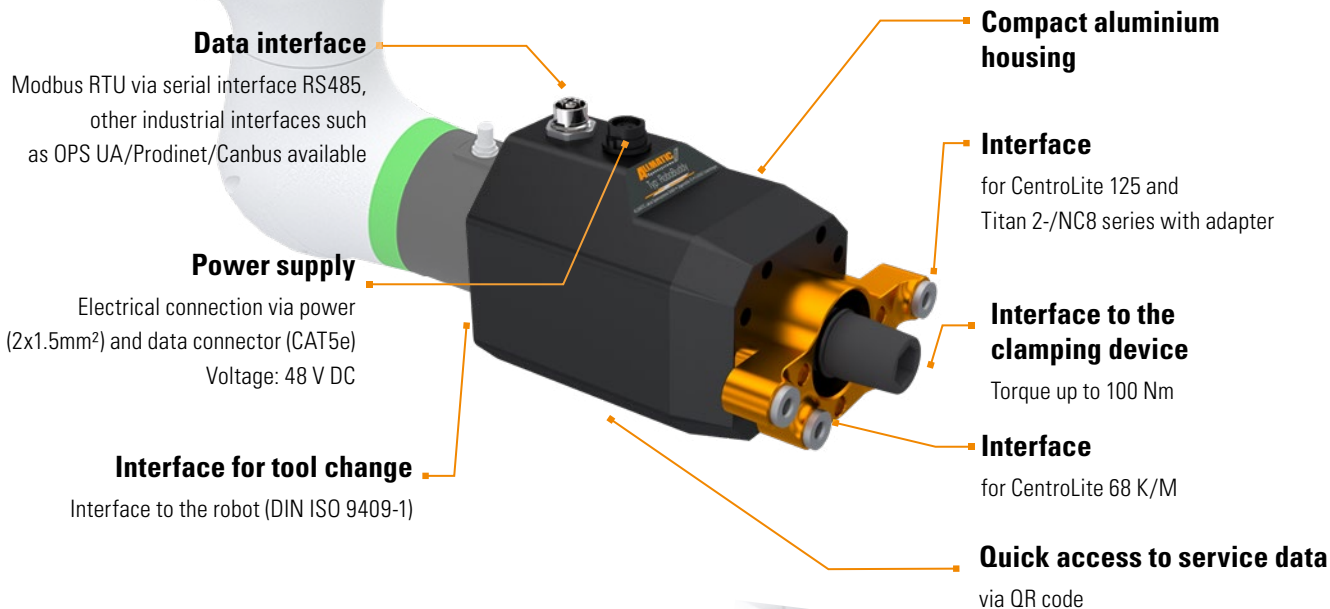
Costs for the company due to absence from work 6.000 €

(without machine downtime or other additional costs)

ROBOBUDDY

Automated operation of clamping devices

For the automated execution of clamping applications



Can be used for all spindles of the Titan 2/NC8 series and CentroLite 68 K/M & 125
Soon also for TeleSense 125!

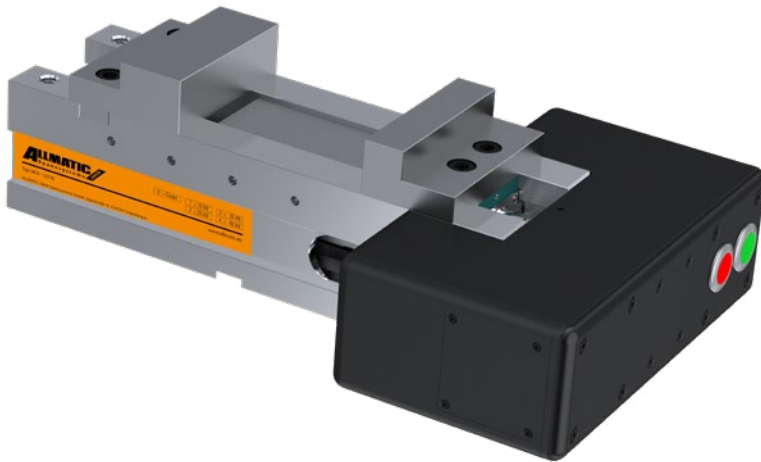


Your advantages

- Fast and flexible set-up process
- Unmanned production
- Increase in machine running time
- Profit increase
- Cost-effective & at the same time simple system configuration can be realised for countless application



ACCUCLAMP



Range of application

- Retrofittable system for automating manual machine vices
- For use in CNC machining centres

Product features

- Can be used on all Allmatic machine vices with jaw width 125mm (Titan,NC8)
- Fully automated operation via control by NC-code of the NC machine or robot due to Wi-Fi or Bluetooth interface
- Supports industry standards such as OPC UA, IOLink, EtherCAT etc.
- Increase or decrease clamping force without interrupting the process
- Possibility of semi-automated vice operation through two-hand operation by means of a button on the device
- Real-time clamping force measurement during the machining process
- Wireless operation for three shifts without interruption (for clamping/unclamping every three minutes)
- Quick-change battery system
- LED for displaying the current operating status
- Clamping with desired clamping force from 0 to 40 kN
- Pre-positioning of the clamping jaws to the desired clamping range
- Protected against the penetration of liquids according to IP68

NC8 HYDRO

Ideal for use on 3-axis and 4-axis machines

in sizes 90 / 125 M + L / 160/ 200



High pressure vice NC8-90 hydraulic

max. clamping force 24 kN at 240 bar

clamping stroke 4,5 mm / volume max. 4,5 cm³

clamping range 0 - 217 mm

Art.No. 6921908000655



High pressure vice NC8-125 M hydraulic

max. clamping force 40 kN at 240 bar

clamping stroke 4,5 mm / volume max. 7,5 cm³

clamping range 0 - 313 mm

Art.No. 6921918000655



High pressure vice NC8-125 L hydraulic

max. clamping force 40 kN at 240 bar

clamping stroke 4,5 mm / volume max. 7,5 cm³

clamping range 0 - 445 mm

Art.No. 6921918010655



High pressure vice NC8-160 hydraulic

max. clamping force 60 kN at 240 bar

clamping stroke 4,5 mm / volume max. 11,3 cm³

clamping range 0 - 435 mm

Art.No. 6921928000655



High pressure vice NC8-200 hydraulic

max. clamping force 60 kN at 240 bar

clamping stroke 4,5 mm / volume max. 11,3 cm³

clamping range 0 - 435 mm

Art.No. 6921928010655

Product features

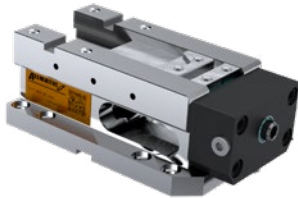
- The clamping force is generated by the hydraulic pressure of a hydraulic unit or other hydraulic source
- The clamping force is steplessly adjusted by regulating the hydraulic pressure on the hydraulic unit. A hand crank is provided for coarse adjustment of the clamping range
- The hydraulic spindle enables the use of support jaws which allow secure clamping of a wide range of unmachined parts, from flame-cut and sawn materials through to complex castings



Hydraulic units and other hydraulic equipment available!

T-REX 125 HYDRO

Ideal for use on 5-axis machines



High pressure vice T-REX 125 hydraulic
max. clamping force 40 kN at 240 bar
clamping stroke 4,5 mm / volume max. 7,5 cm³
clamping range angular 0 - 185 mm
clamping range round Ø 0 - 190 mm
Art.No. 6921888000655

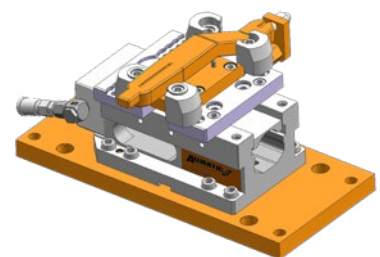
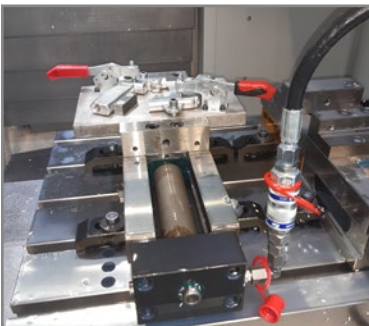
Field of application

- Horizontal installation – suitable for vertical CNC-controlled milling machines
- Ideal for use on 5-axis machining centres
- Reliable and fast clamping of unmachined parts, flame-cut and sawn materials with gripper jaws
- Clamping of parallel pre-machined workpieces with optional step jaws
- For automation of machining centres – particularly suitable for serial production

Product features

- Jaw width: 124,4mm
- Steplessly adjustable with external hydraulic unit
- Standard with mounting holes for zero point clamping system, pitch 200
- Optimum accessibility for 5-sided machining thanks to the combination of compact base and large clamping range
- Stamping and clamping in a single process, in the working area itself, without any additional accessories
- The movable/pivot support jaw allows different workpiece contours to be clamped
- Gripper studs can be changed without tools and are easy to adjust by hand
- High-pressure spindle with power intensification

Example of use



QC 1200

Zero-point clamping system „QuickChange 1200“

QuickChange is the solution for fast setup and accurate positioning



Time is money is QuickChange

When it comes to profitability; QuickChange is the winning choice: reduced set-up times ensure longer machine running times, which means a faster return on investment. Maximum production flexibility provides the competitive edge you need.

Product features

- Pure mechanical system
- High clamping force
- Manual operation
- No external power supply necessary
- High clamping accuracy - fit quality H5/g5
- Completely swarf-protected clamping mechanism
- Compact design
- Distance dimension of the feed mechanism 200 ± 0.01 mm
- Material GG 40, other materials on request
- Positioning and mounting holes according to your specifications
- Optional with smooth surfaces or T-slots



Some possibilities



2-on-1 clamping plate

- Height 35 mm
- Aligning grooves 14 H7
- Smooth surface



4-on-1 clamping plate

- Height 35 mm
- Smooth surface



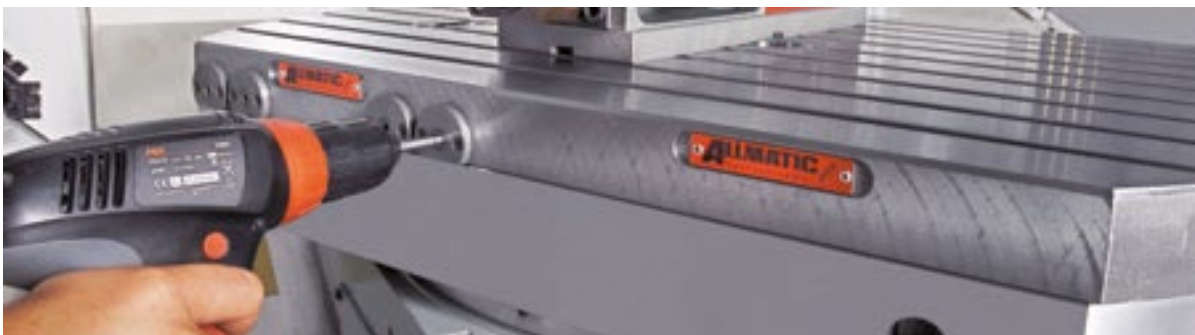
4-on-1 clamping plate

- Height 47 mm
- Five T-slots 14 mm, pitch 63 mm
- Centre hole \varnothing 30 H6



4-on-1 clamping bracket

- Aligning grooves 14 H7
- Can be attached to example 2 and 3
- Enables horizontal and vertical machines without swivel head or swivel worktable
- Enables machining of 4th and 5th side by turning the fixture through 90°



ALLLITE

AllLite is the digital business unit of ALLMATIC-Jakob Spannsysteme GmbH. With a fully automated production line, AllLite produces outstanding quality made in Bavaria.

Centric vice „CentroLite“

CentroLite 68K

- Clamping force: 28 kN at 100 Nm
- Clamping width with gripper jaws: 0-103 mm
- Clamping width with step jaws: 0-104 mm
- Grip and step jaws in width 67 mm and 38 mm available
- Grip jaws with LANG toothing available
- Weight: max. 4,2 kg

CentroLite 68M

- Clamping force: 28 kN at 100 Nm
- Clamping width with gripper jaws: 0-163 mm
- Clamping width with step jaws: 0-164 mm
- Grip and step jaws in width 67mm and 38mm available
- Grip jaws with LANG toothing available
- Weight: max. 5,7 kg



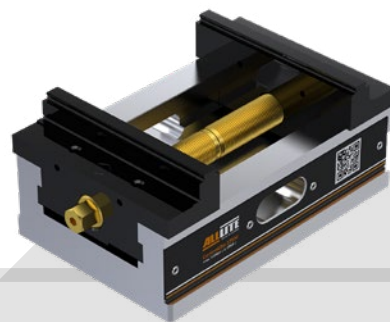
CentroLite 68 K/M is compatible with the following zero-point clamping systems:

- AMF K10/K20
- GRESSEL gredoc
- Schunk VERO-S
- Lang Quick Point 52×52
- System 3R MacroMagnum
- Hilma Quintus 60
- Roemheld
- Matzak
- Erowa

CentroLite covers the most common zero-point clamping systems.

CentroLite 125

- Clamping force: 28 kN bei 100 Nm
- Clamping width with gripper jaws: 0-164 mm
- Clamping width with step jaws: 0-165 mm
- Grip and step jaws in width 124 mm verfügbar
- Grip jaws with LANG toothing available
- Weight: max. 9,7 kg



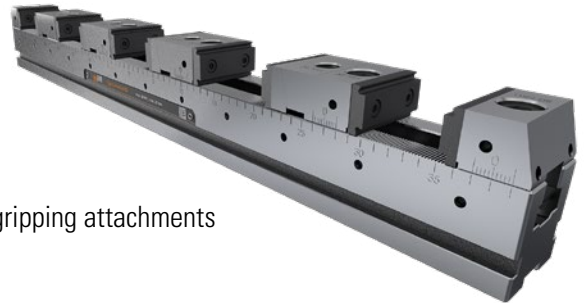
CentroLite 125 is compatible with the following zero-point clamping systems:

- AMF
- GRESSEL gredoc
- Lang Quick Point 96×96
- Schunk VERO-S

Clamping Rail „CombiRail“

NEW

- Optimal for the **production of larger quantities** - suitable for workpieces of different sizes and shapes
- **Parallelism** +/- 0.02 mm
- Can also be mounted **vertically on tower**

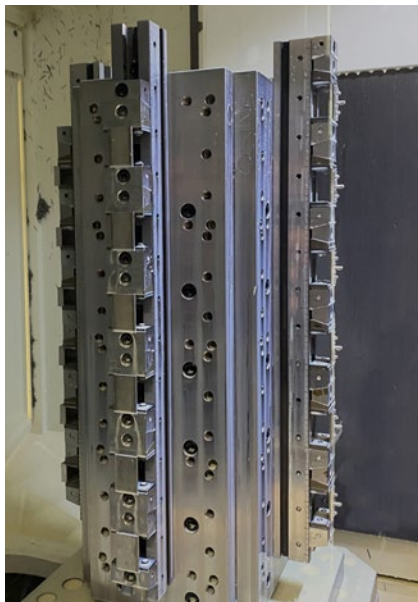


Maximum flexibility & accuracy

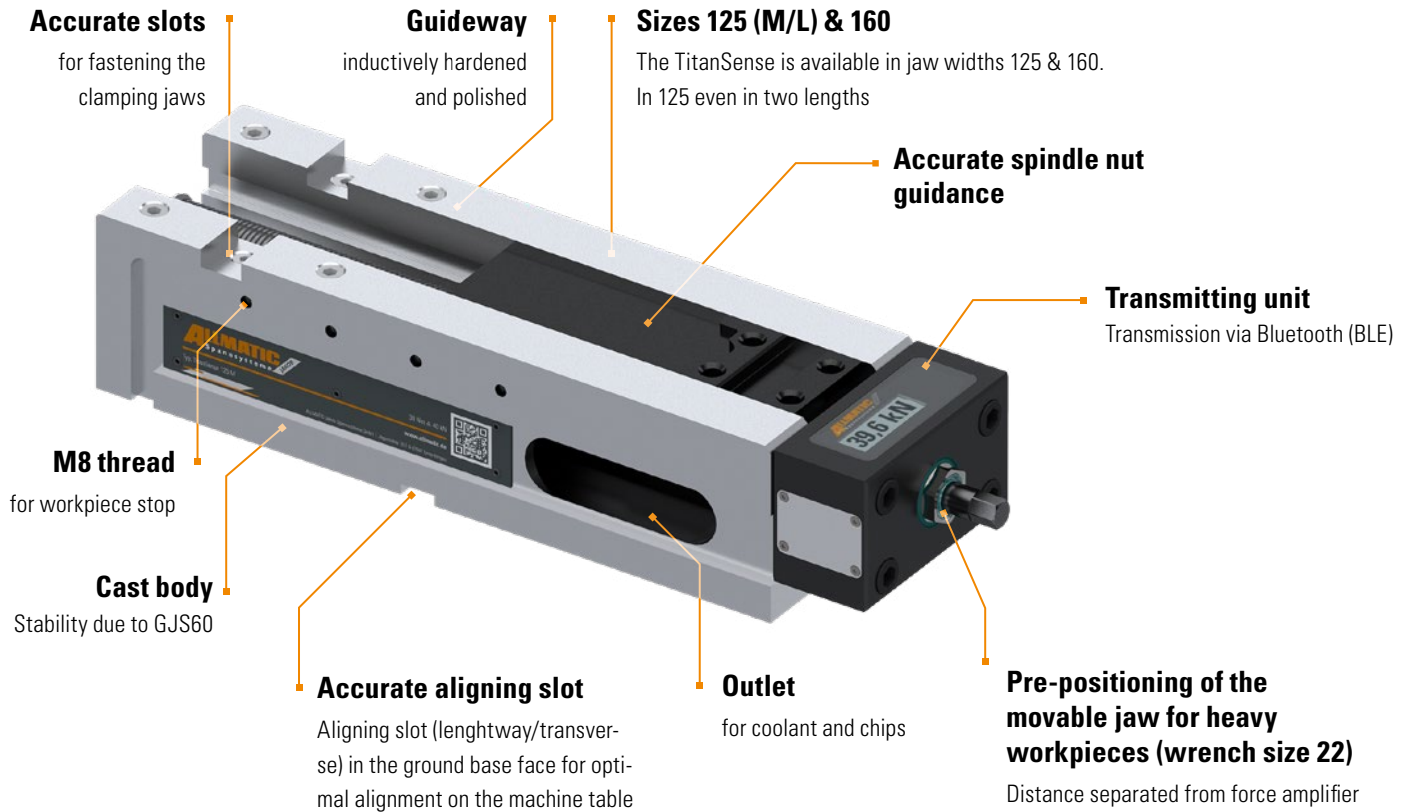
- Clamping of **raw and pre-machined parts** - with smooth jaws or gripping attachments
- **Number of clamping stations** depending on workpiece size
- **High clamping force** with moderate tightening torque
CombiRail 50: **16 kN** with 20 Nm
CombiRail 72: **38 kN** with 60 Nm
- One-sided zero point orientation
- **Hole pattern** 100 mm for mounting on machine table
- Body ground from all sides

Width 50 mm		
Length (in mm)	Clamping points	Hole pattern (in mm)
200	2	80 + 100
300	3	100
400	4	100
500	4	100
600	4	100
700	4	100

Width 72 mm		
Length (in mm)	Clamping points	Hole pattern (in mm)
400	3	100
500	4	100
600	4	100
700	4	100



TITANSENSE



Features

- The service life of the replaceable batteries of the transmitter unit is given by efficient energy management up to 6 months (two shift operation)
- Firmware update possible
- Operating temperature between 10° C and 40° C
- Protection class of the spindle type IP65
- Transmission range up to 20 m - depending on ambient conditions

Function

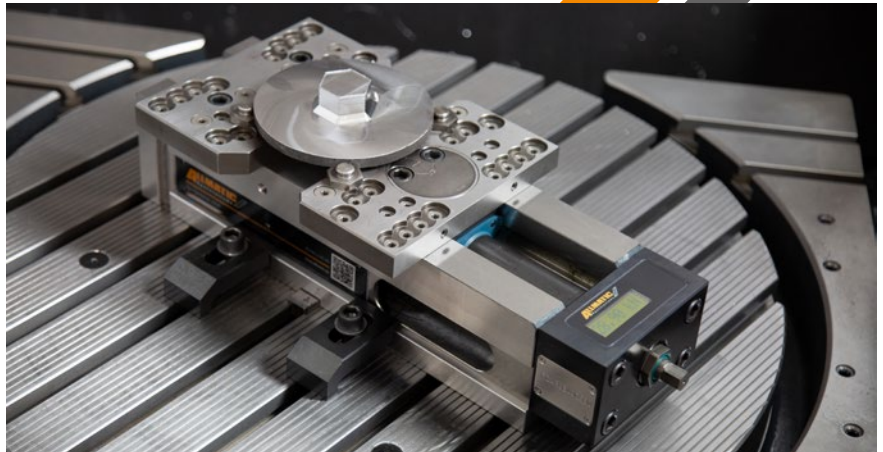
- Recording of the current clamping forces in the fully enclosed high-pressure spindle by means of an integrated, electronic measuring system and transmission to the Bluetooth industrial receiver (BLE)
- Recording independent of clamping jaws, as the measuring system is integrated in the spindle
- Clamping force is constantly monitored in the clamped state
- Force values are transmitted with the standard Bluetooth protocol (from BLE 4.2)
- The clamping force preset by the user (reference force) is indicated by an LED light at the BLE when 90 % is reached

TitanSense – Clamping force monitoring directly at the workpiece

Automatic clamping force monitoring

Permanent precision through constant clamping force is an important factor in series production. Increase safety during milling and optimise your production line.

With the TitanSense you monitor the clamping force directly in the spindle and ensure secure clamping - with high repeatability throughout the entire machining process.

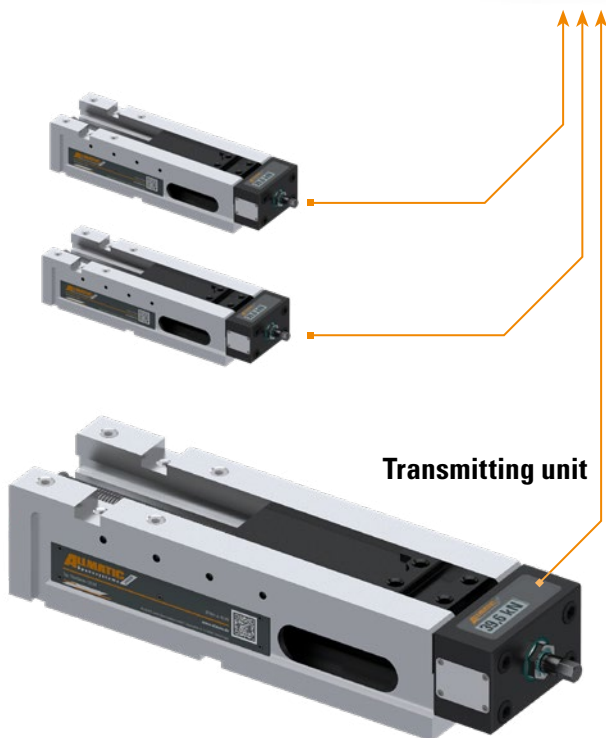
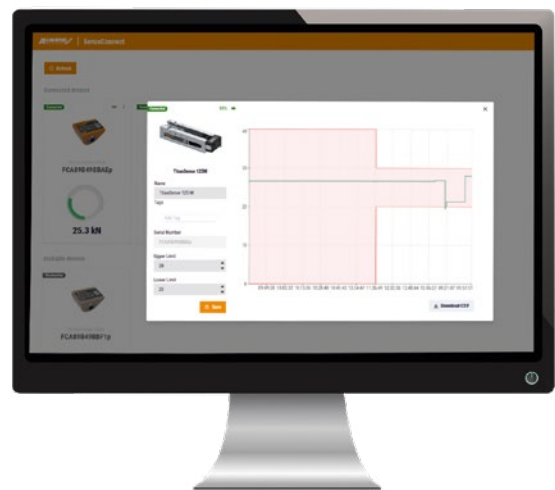


Receiving unit

Monitor up to 8 spindles at the same time



Terminal



Transmitting unit

TELESENSE

Optimal for 5-axis machining

with integrated clamping force monitoring



TeleSense 125 Connect



TeleSense 125



TeleSense 125 Compact

Range of use:

- With integrated clamping force monitoring - directly on display and wireless to end device
- High clamping force of 40 kN at 50 Nm tightening torque due to spindle with force amplifier
- Jaw width 125 mm
- Clamping range 0-199 mm; with extension up to 274 mm

Product features:

- Clamping of raw and pre-machined parts (parallel, round and irregular parts) also with gripp and pull-down clamping. Reliable clamping without pre-stamping

Maximum flexibility:

- Universal quick change jaw for a variety of different setups - thus reducing setup time and less force is required
- Compatible to the movable jaws of CentroGripp, T-Rex, NC8 and Titan 2 (adapter available)
- Extension element for enlarging clamping width

Simple handling:

- Moving of both jaw supports, fixing one jaw side
- Only one tool due to uniform wrench size 10 mm (WS10) and identical torque for force adjustment and locking
- 4 threads for workpiece stop (M8)

Simple use of the clamping force monitoring

- Long battery life
- Easy & quick battery change with standard batteries
- Display robust and splash water protected
- Monitoring unit can also be retrofitted
- Standard with locating holes \varnothing 25H6 M10 for zero-point clamping systems; inside micrometre 200 mm \pm 0,01 mm

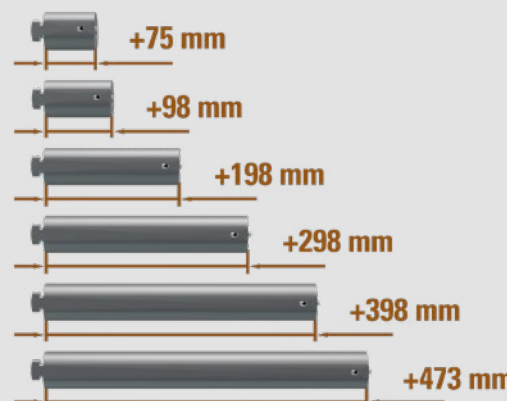
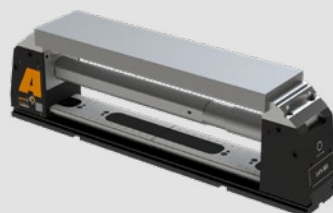
Scope of supply

- 1x TeleSense without jaws
- 1x Handcrank SW10
- 1x Torx T10
- 1x Batterien AA 3,6 V (only Connect)
- Quick-Start-Guide



Combination options for a larger range

Increasing the range of the TeleSense 125 up to a maximum range of 672 mm.



POCKETSENSE

Range of use:

- Load cell for reliable, wireless checking of clamping forces
- Perfect for regular maintenance of vices
- Suitable for alle vices with a minimum clamping range of 61 mm and pressure forces of up to 70 kN



Product features:

- Clamping force indication directly on display and other devices
- Energy-efficient due to standby mode and battery life up to six months in two-shift operation
- Compact contour
- Aluminium alloy casing
- Important: The whole surface of the measuring disc must be clamped in the vice



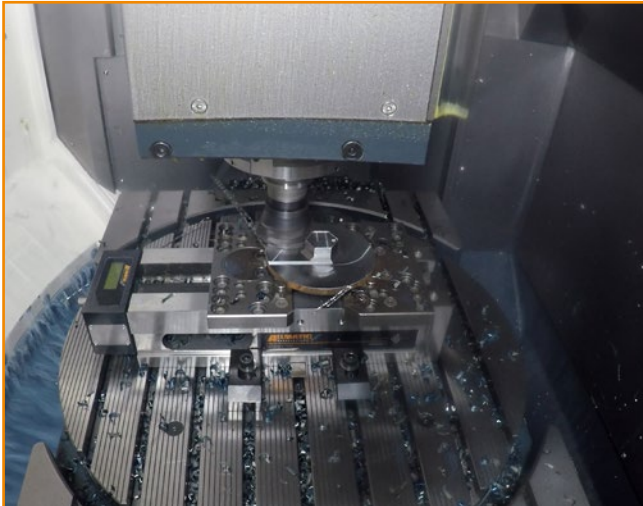
Integration of measurement technology into other products

The technology behind a monitored vice and load cell can also be adapted to many other areas. For example, it can also be installed directly in clamping jaws or even used as shims.

Compressive forces of the most varied types can be checked with a very high degree of accuracy via the measuring discs.

The discs - comparably small as a 1€ coin - are available in three different versions: M12 (5t), M16 (10t) and M20 (20t). Measurements are possible at an operating temperature of -20 to +70 °C, and the body is also very robust and waterproof.

SENSE PRODUCTS IN ACTION



OUR PROFIL AND OUR MISSION

The world's best clamping systems

For more than 50 years we have offered our customers machine vices which are easy to operate and ergonomic.

Our vices hold the workpieces tight and thus avoid damage to humans and machines. The reliability and precision reduce machine downtimes, allowances, waste and thus costs. The purchase price is also amortized by the very long lifetime.

We are the only vice manufacturer to guarantee a 20-year supply of spare parts and probably offer the fastest service. In the future, our vices will become even more accessible and intelligent. They communicate with their environment and relieve the strain on your employees even more.

ALLMATIC
Spannsysteme JAKOB



„Our aim is to become the worldwide technological leader in the area of machine vices.

In addition, we are continuously working in the processes – such as production, assembly, support, sales, service and administration to stay ahead. A stable, long-term development with a secure profit situation takes priority over growth in turnover and short-term achievement of profits.“

Herbert Mayr
CEO from ALLMATIC



NOTES



Contact and contact person

Do you have questions or are you looking for automation solutions?

We will gladly support you:

Vincenzo Lo Bue

Key Account Manager

+49 8377 929-130

v.lobue@allmatic.de

„Working with you to make the perfect out of the good.“



COMPACT
EASY
EFFICIENT

THIS IS WHAT ALLMATIC REPRESENTS



ALLMATIC-Jakob Spannsysteme GmbH

Jägermühle 10 +49 8377 929-0
87647 Unterthingau sales@allmatic.de

www.allmatic.de